

Figure 1

PRIOR ART

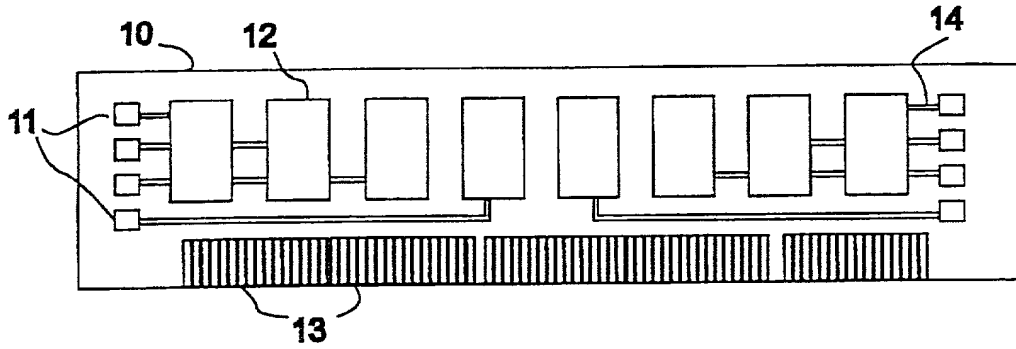


Figure 2

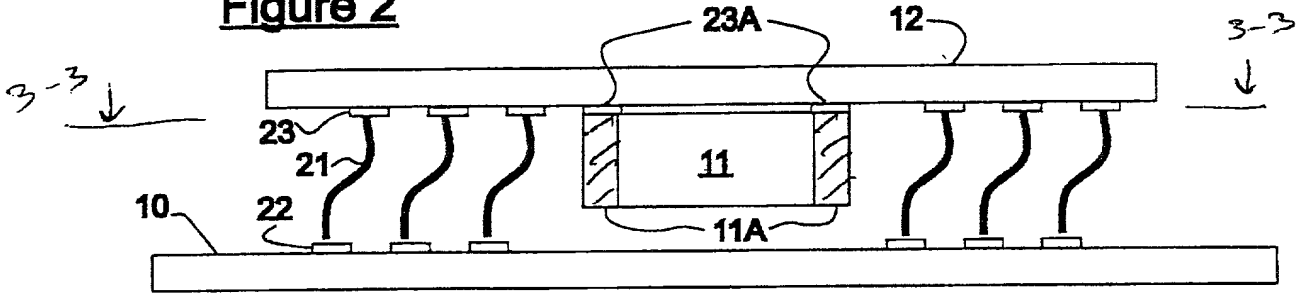


Figure 3

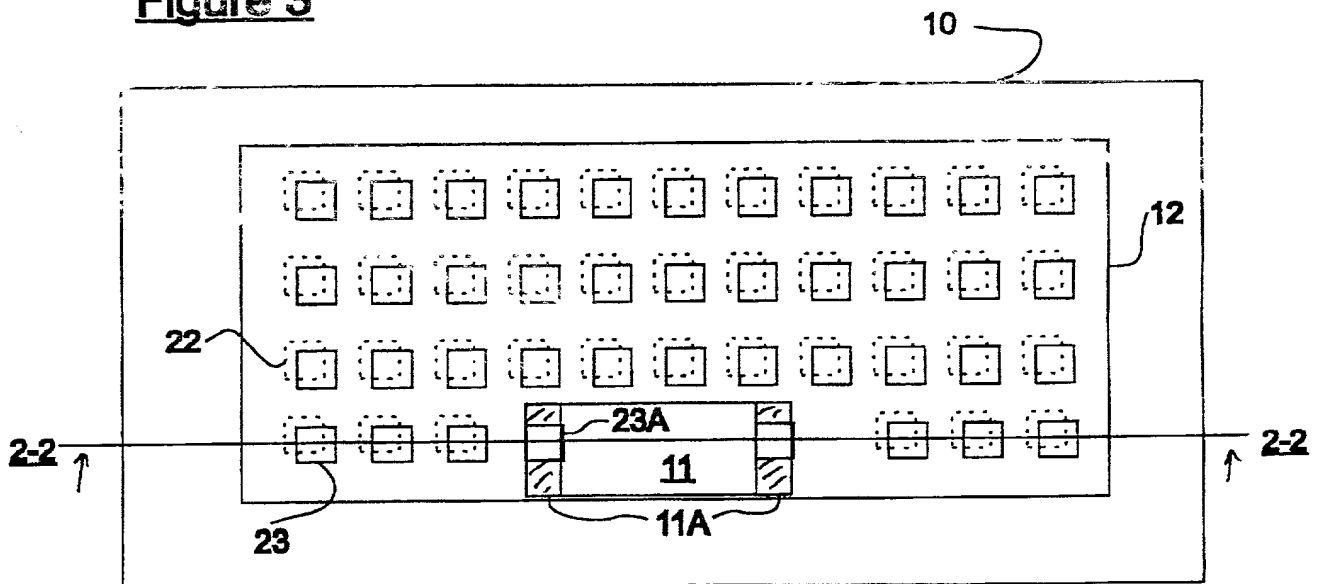


Figure 4A

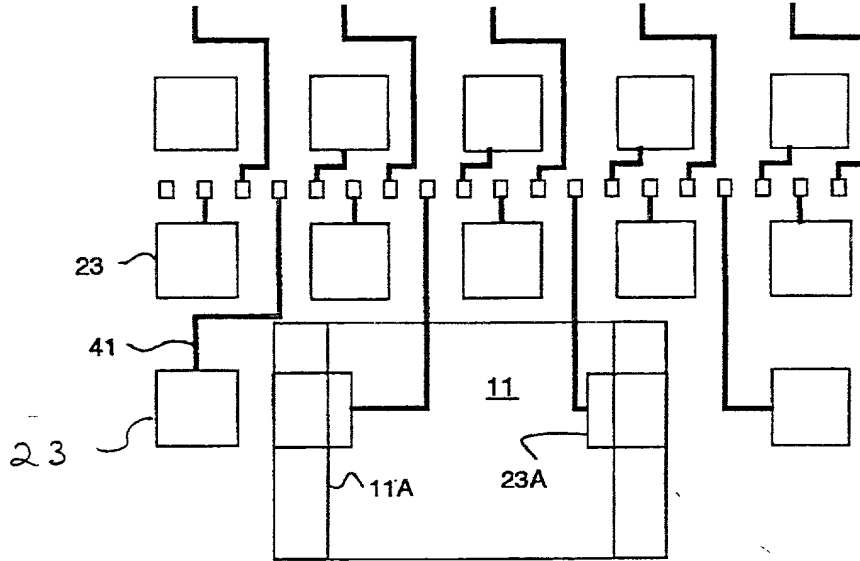


Figure 7A

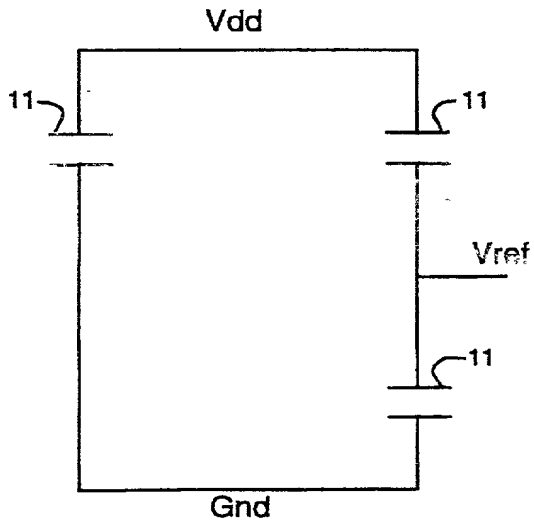
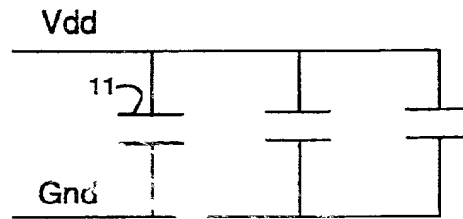


Figure 7B



P.04004 P.030 P.030

Figure 4B

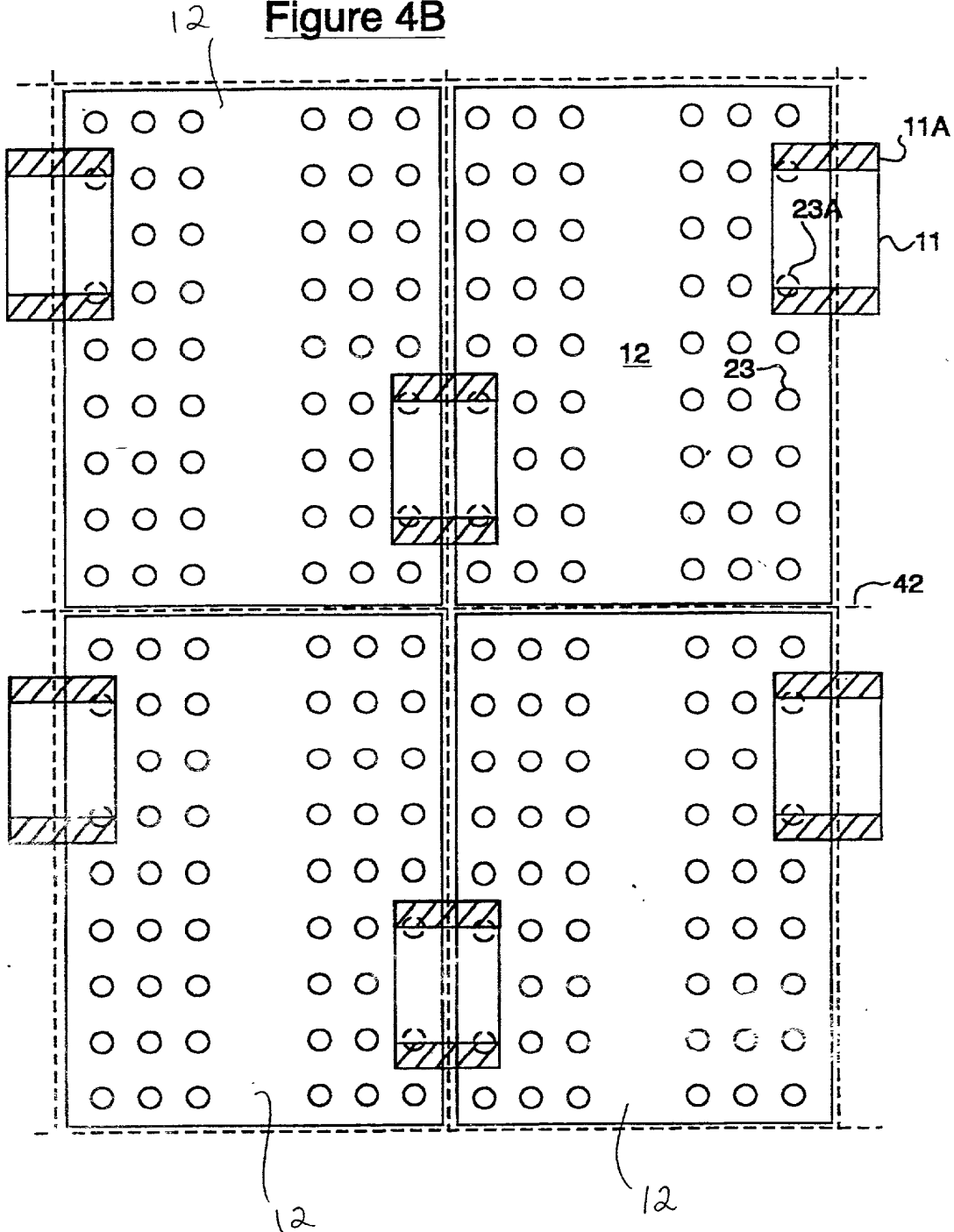


FIGURE 4B FOR P64C1-US

Figure 5

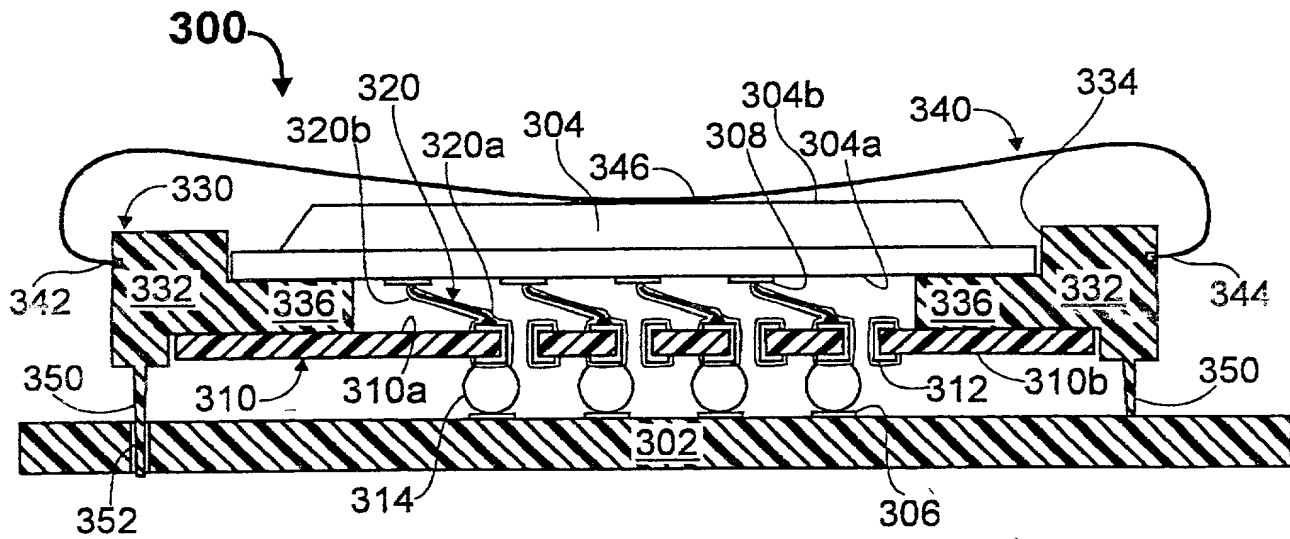


Figure 6

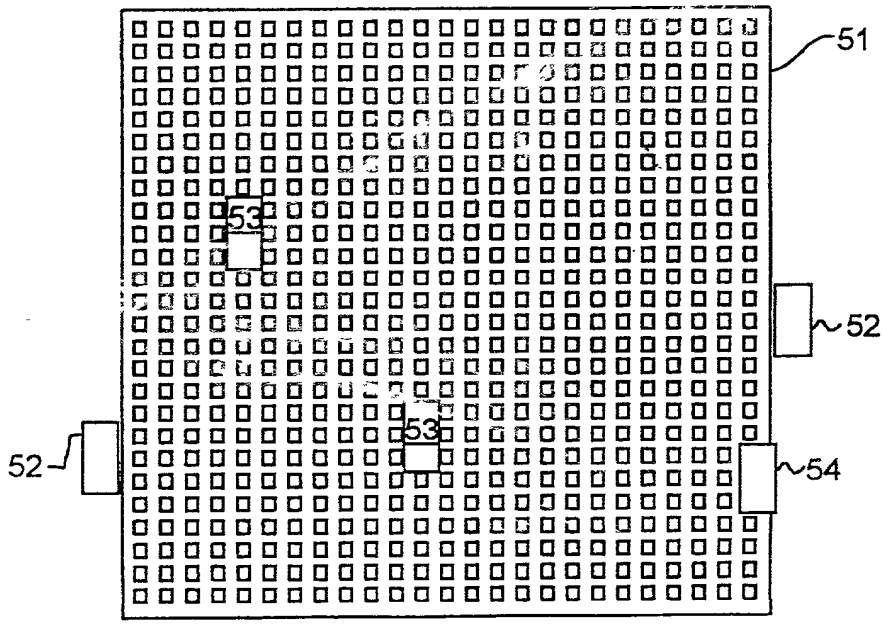


FIGURE 5

FIG. 8A

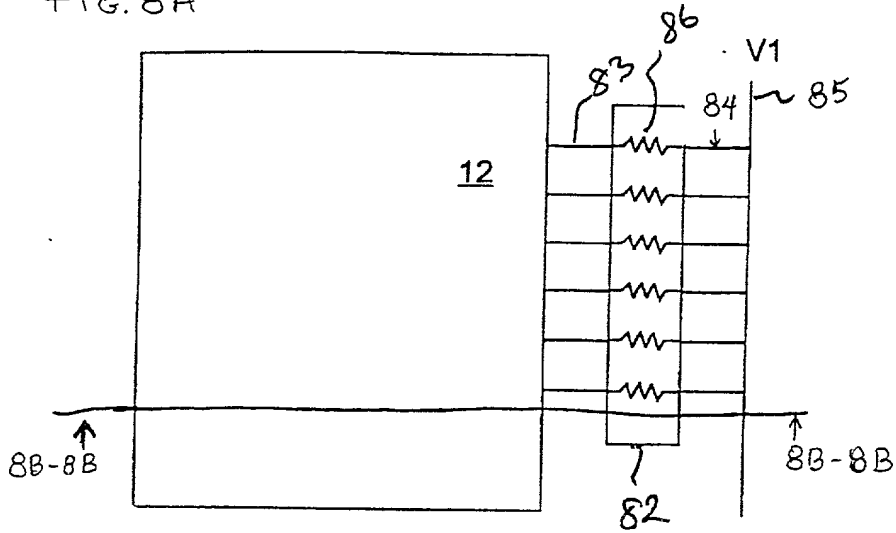


Figure 8B

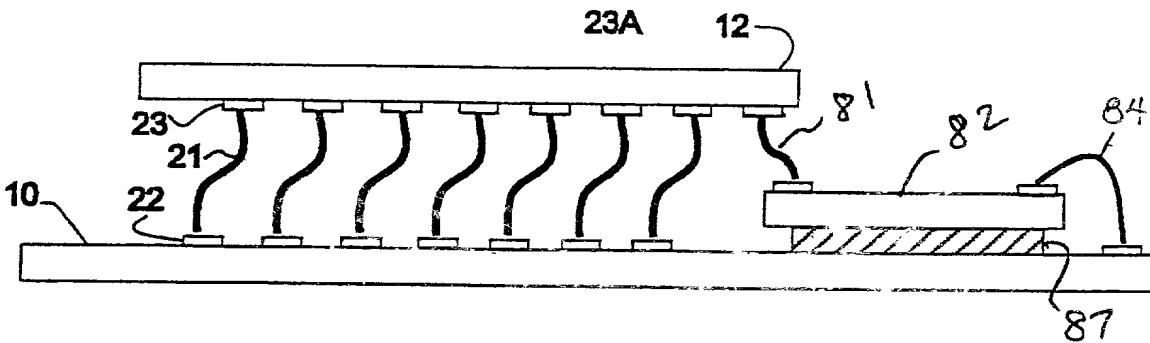


FIG. 8A

FIG. 9A

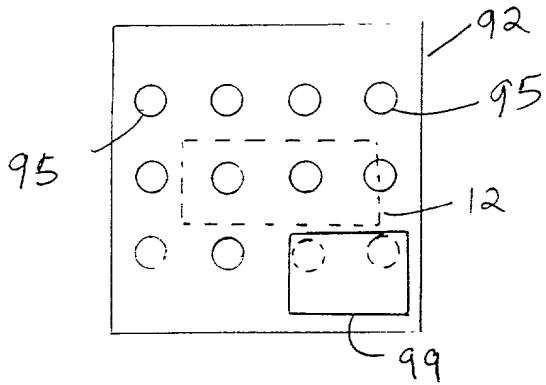


FIG. 9B

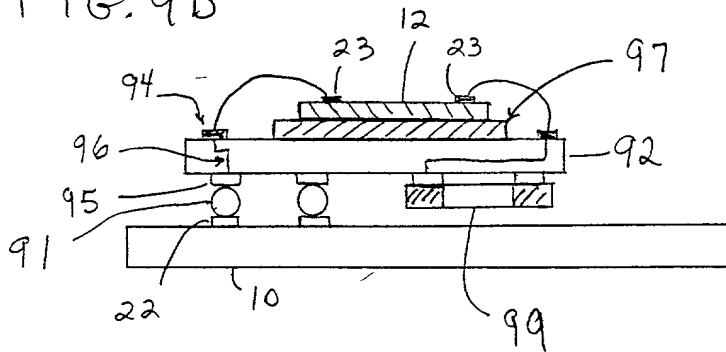
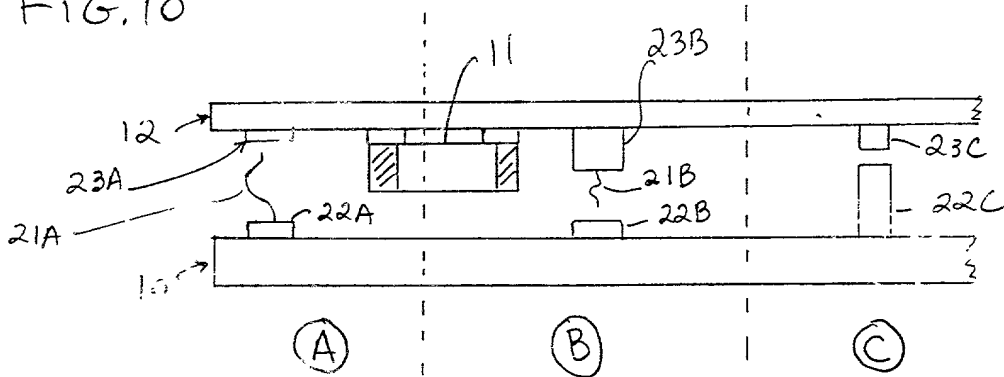


FIG. 10



P64C1-US P64C1-US P64C1-US

Figure 11
(Prior Art)

500

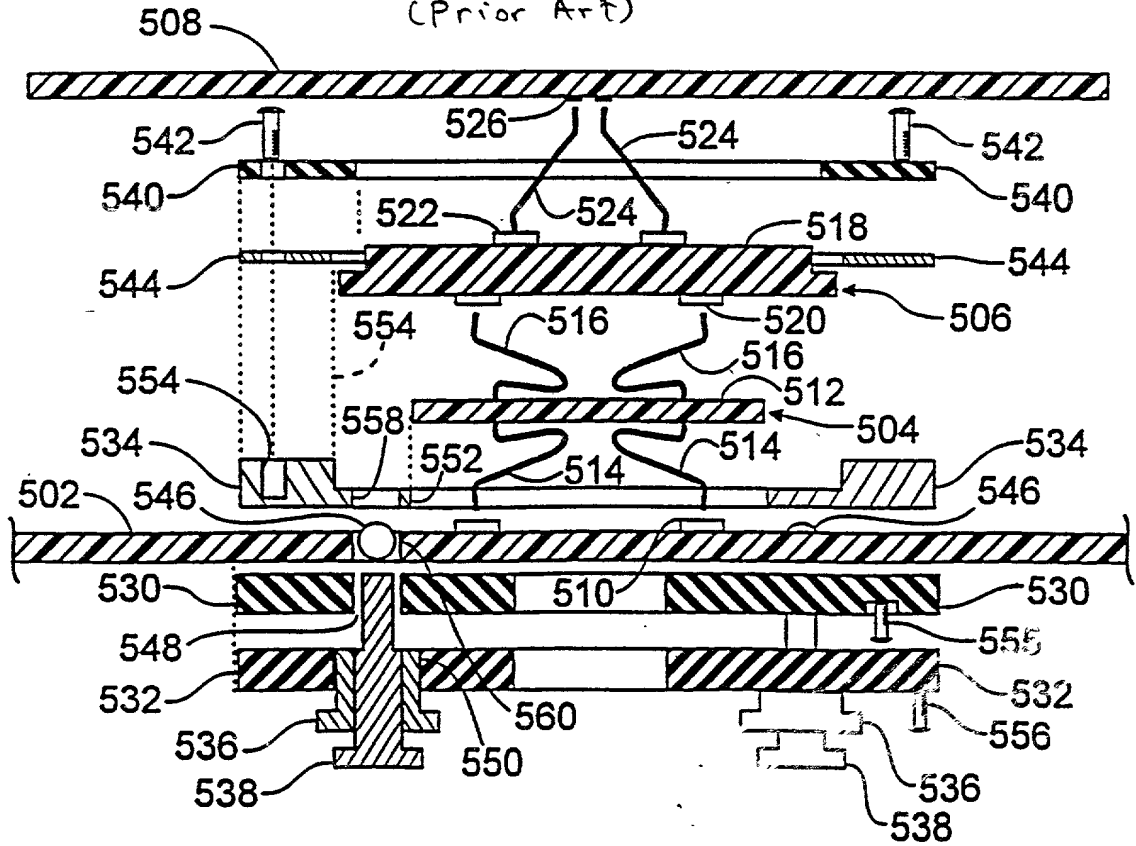


FIGURE 11

Figure 12 A
(Prior Art)

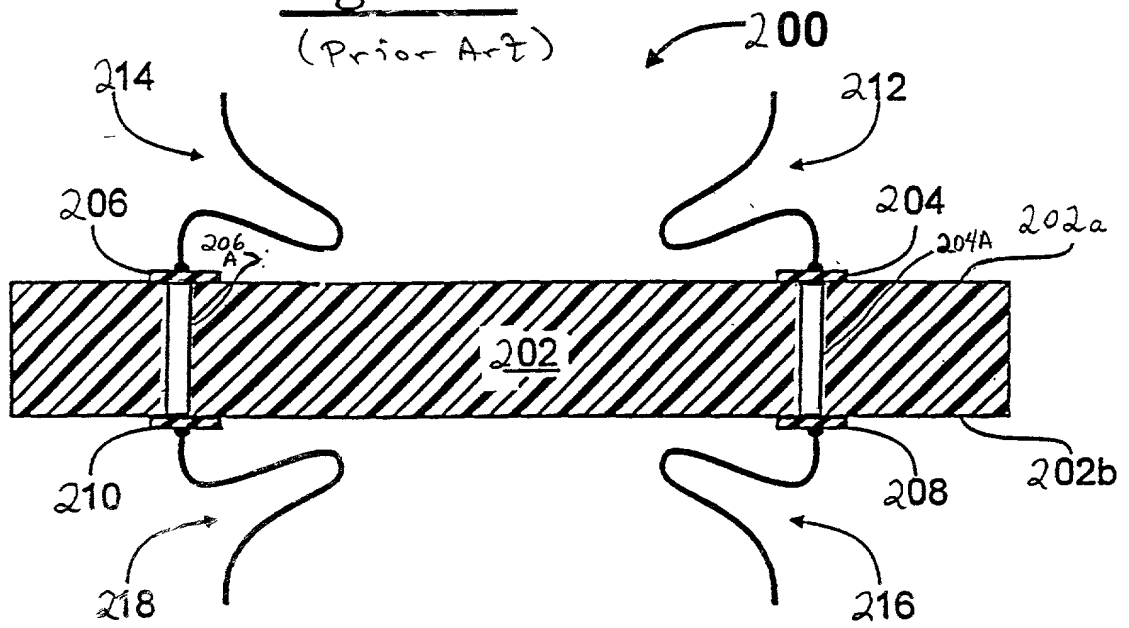


PHOTO: FBTF650

FIG. 12B (Prior Art)

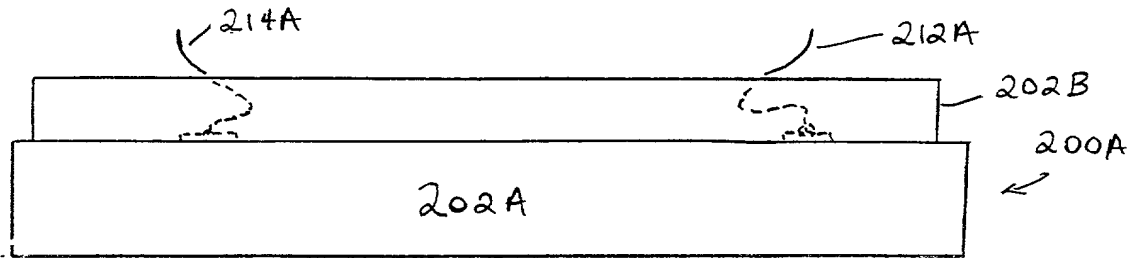


FIG. 12C (Prior Art)

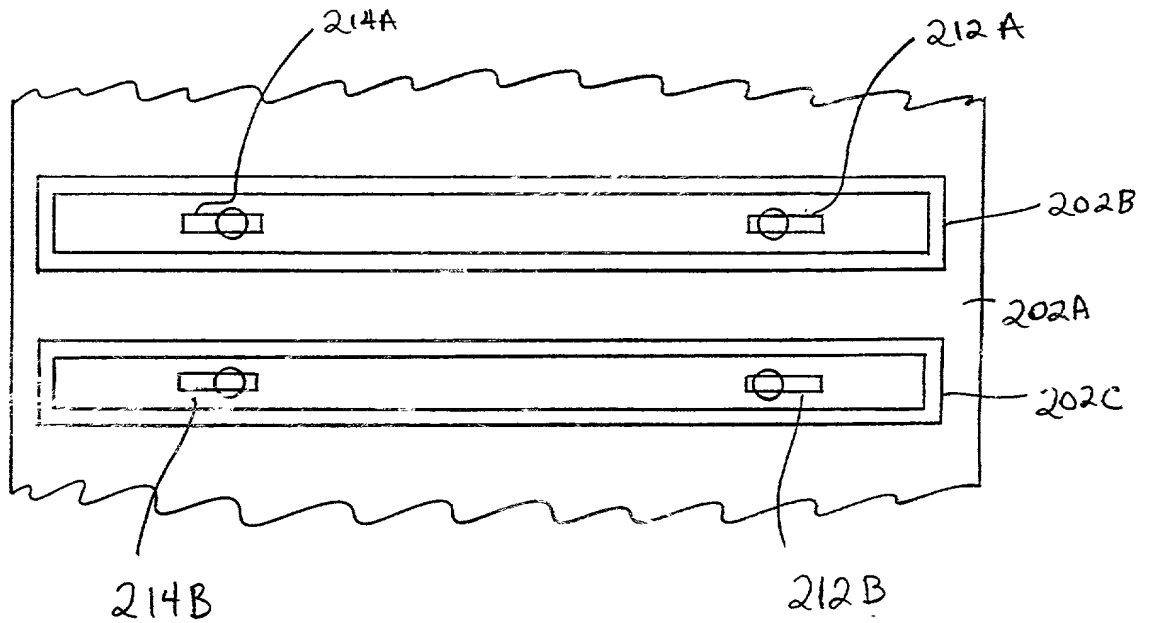


FIG. 12B (Prior Art)

Figure 13 A (Prior Art)

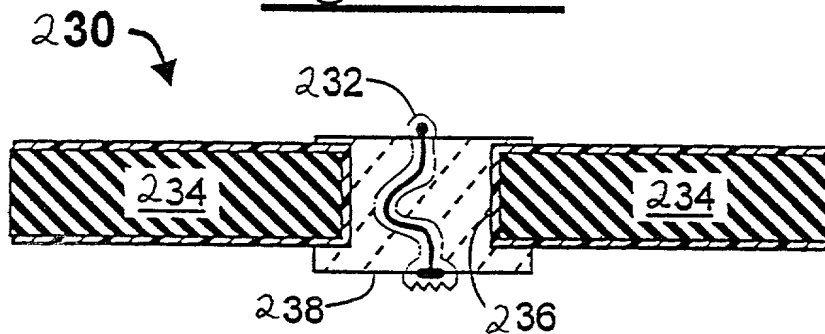


FIGURE 13A

Figure 13 B (Prior Art)

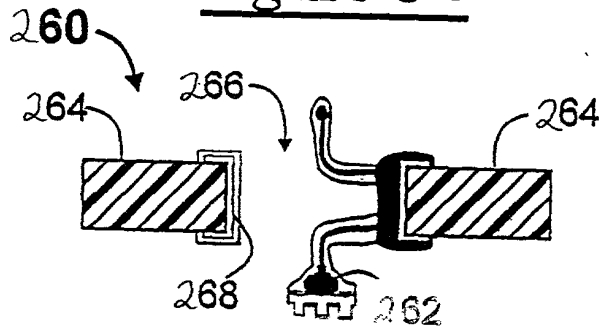


FIGURE 13 B (PRIOR ART)

FIG. 14 (Prior Art)

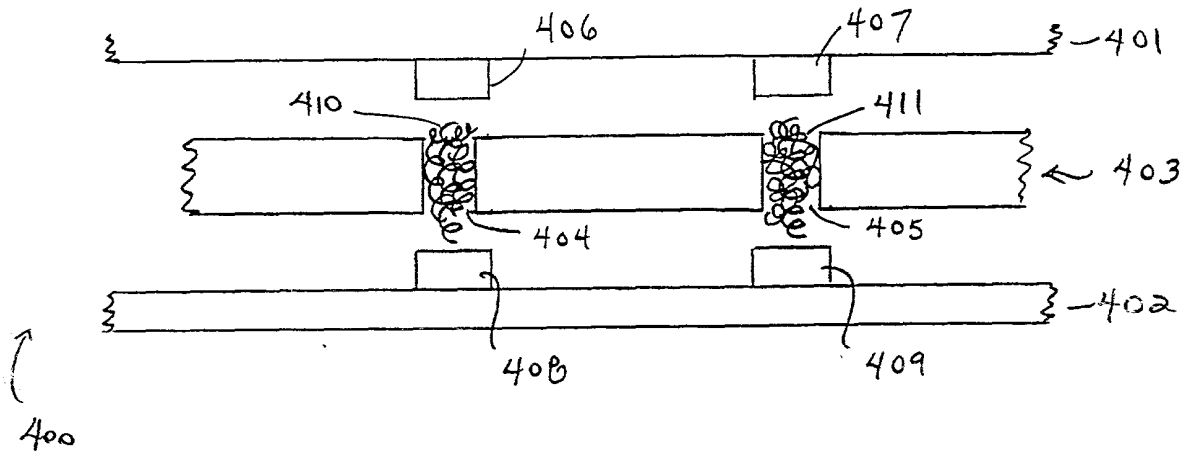


FIG. 14 (Prior Art)

Figure 15A

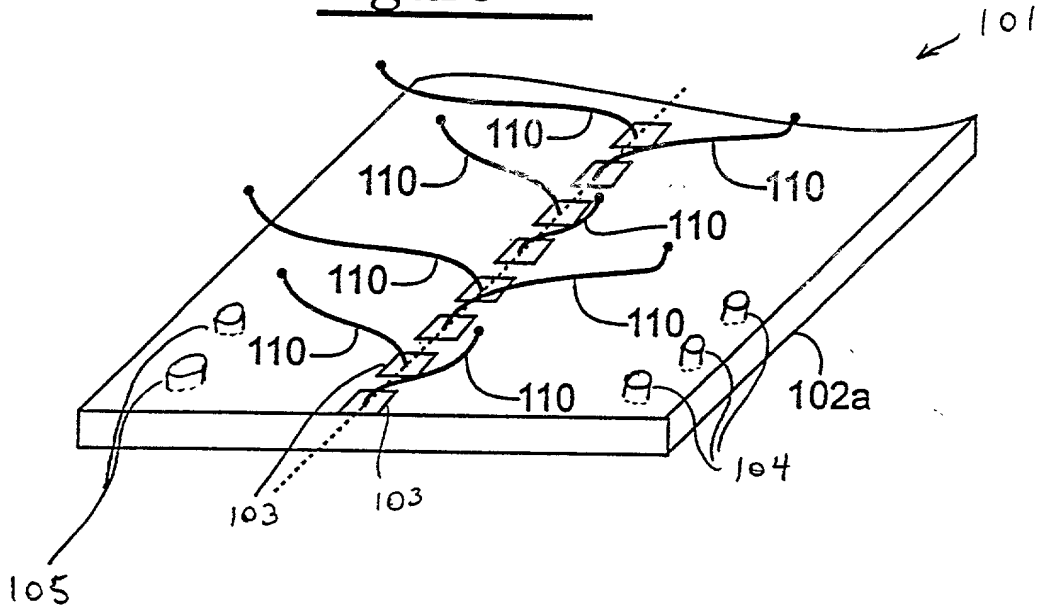
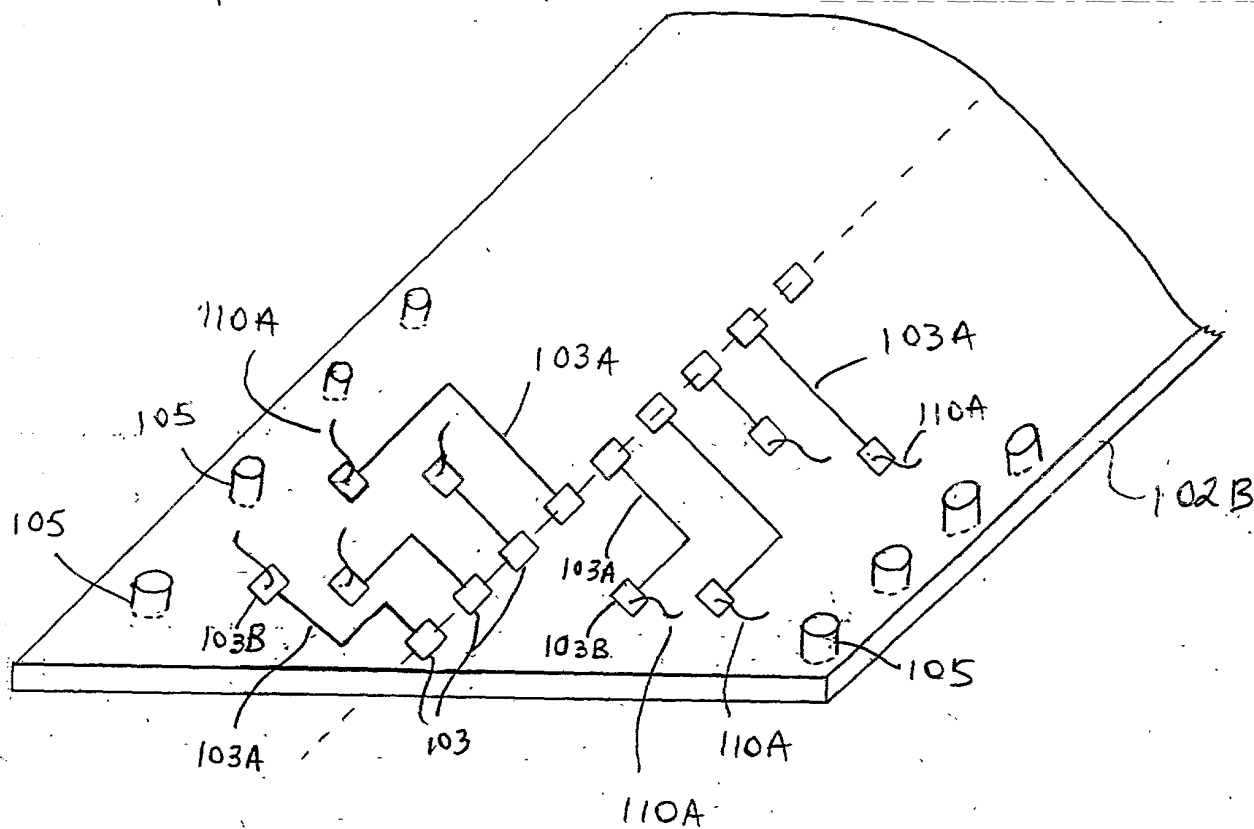


FIGURE 15A

FIG. 15B



PHOTOCOPIED

FIG. 16 A

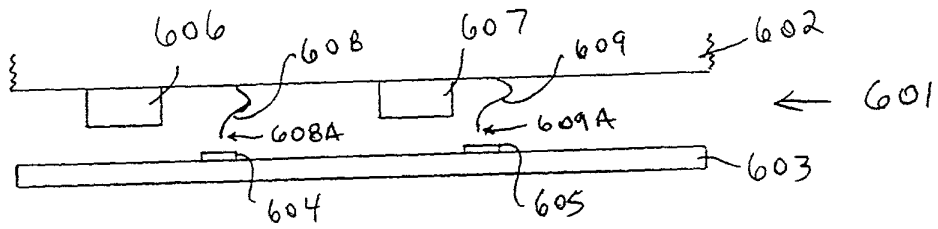


FIG. 16 B

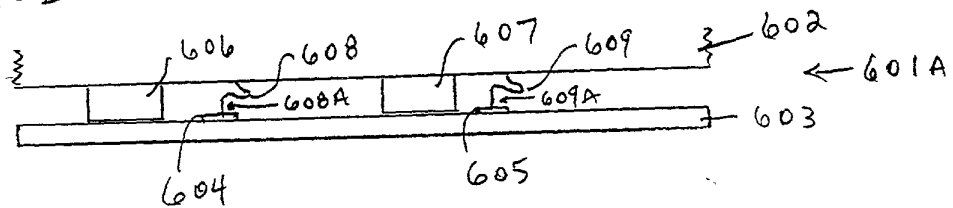
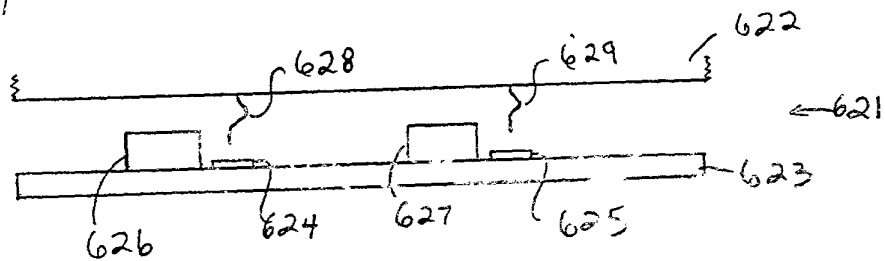


FIG. 17



TOP SECRET

FIG. 16C

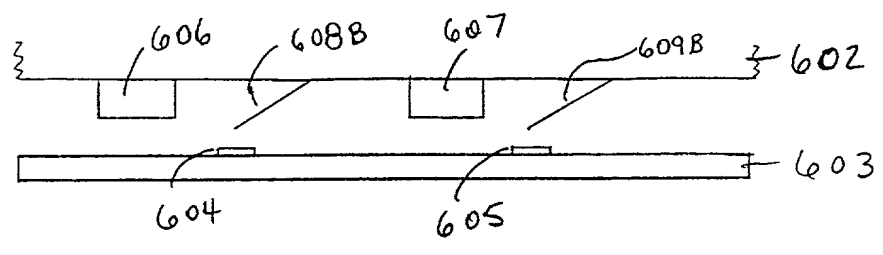


FIG. 16D

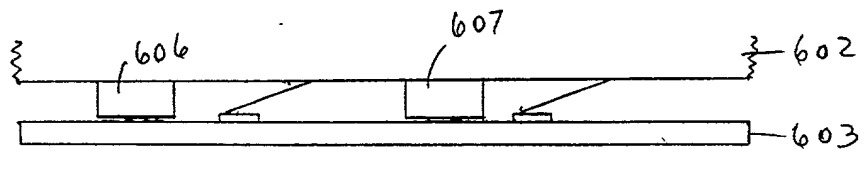


PHOTO MICROFILMED

FIG. 18 A

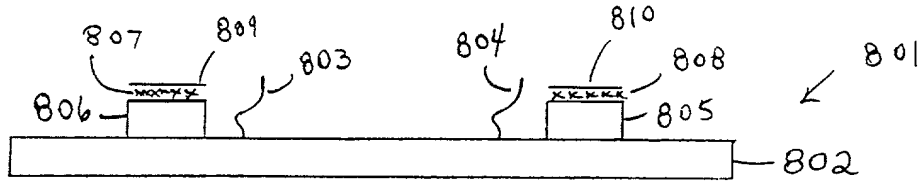


FIG. 18 B

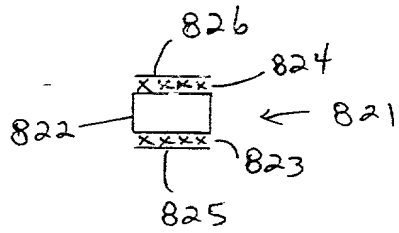


PHOTO FABRICATION

FIG. 19

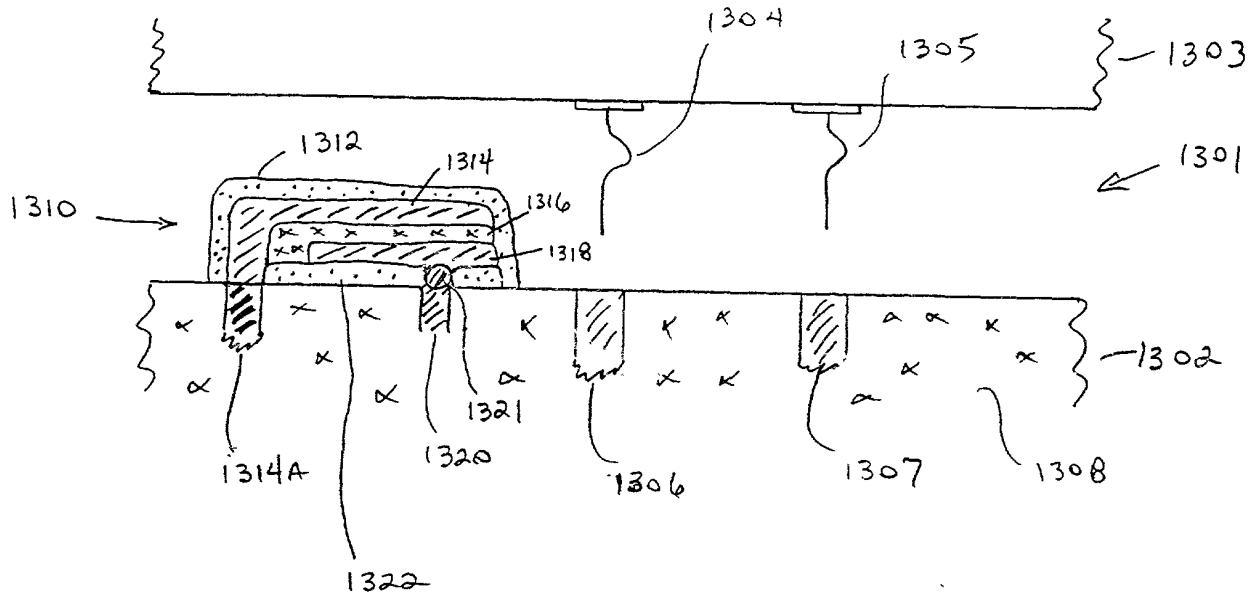


FIG. 20

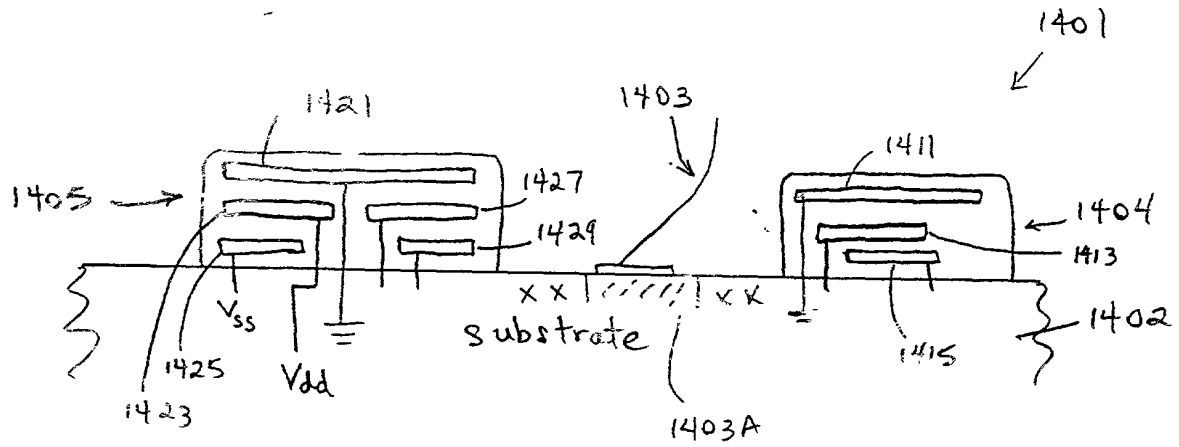


PHOTO MICRO